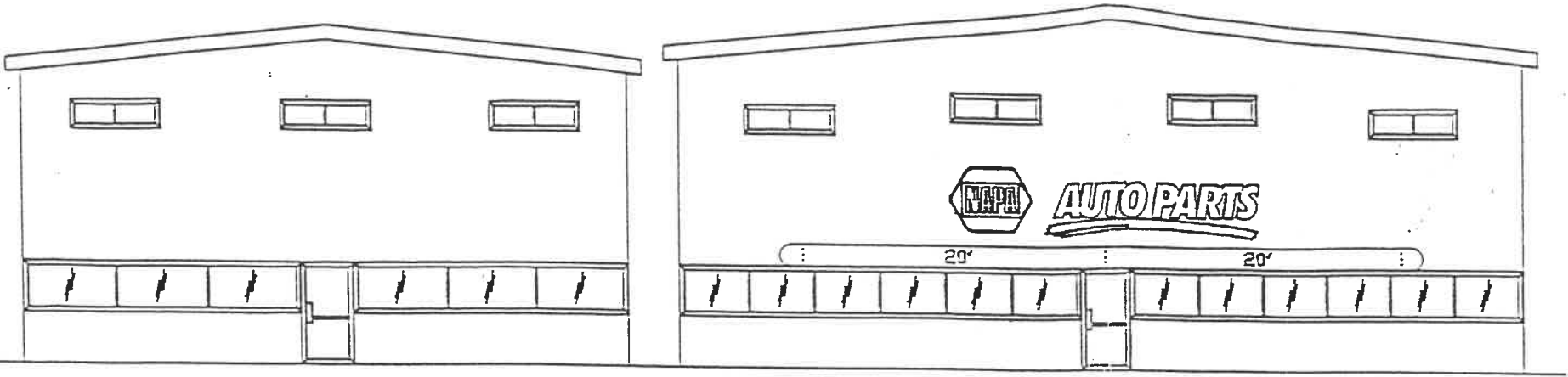
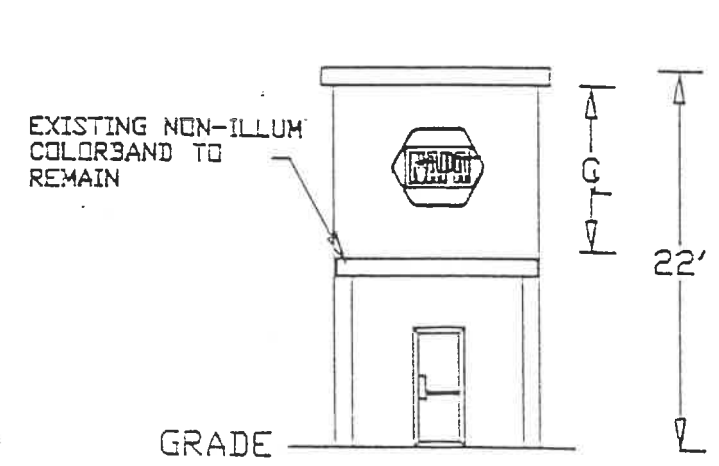
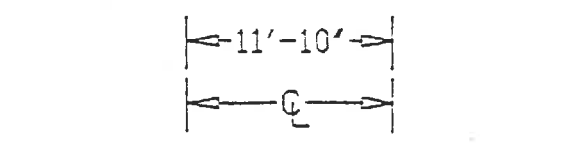


ITEM	QTY	DESCRIPTION
------	-----	-------------

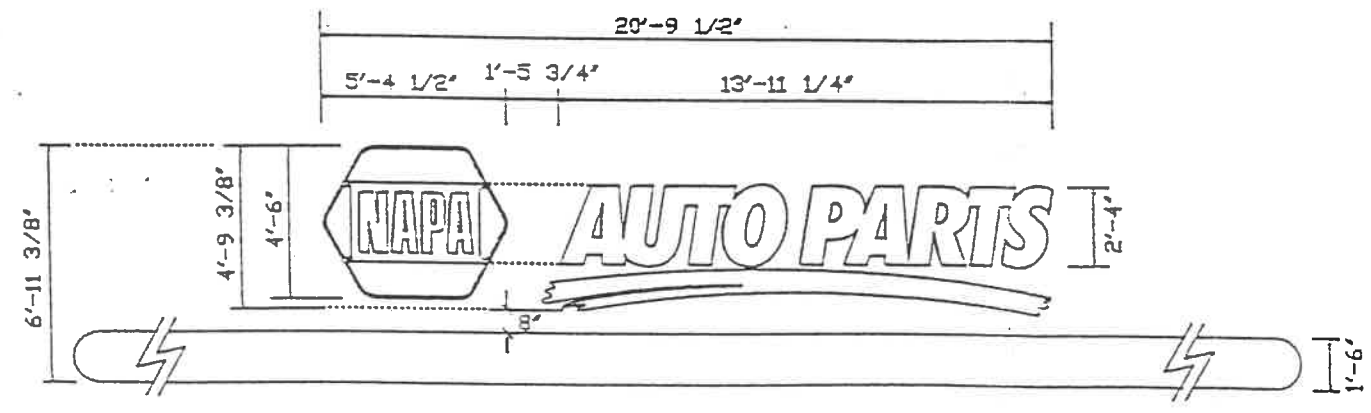


EAST ELEVATION



NORTH-WEST ELEVATION

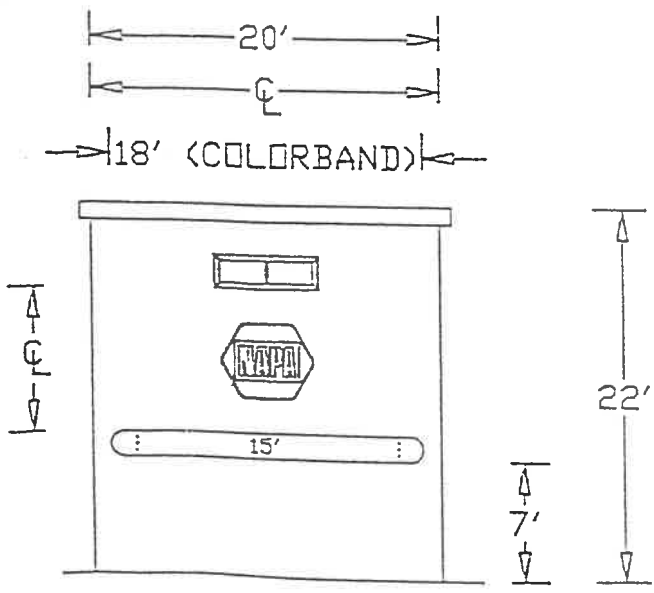
SIGNAGE DIMENSIONS



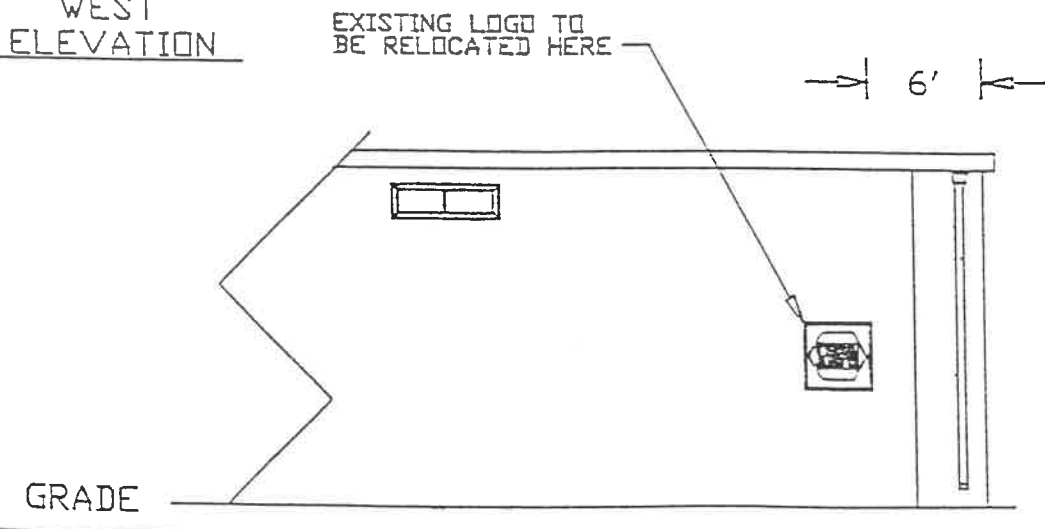
ALL DIMENSIONS TO BE FIELD VERIFIED PRIOR TO INSTALLATION

INSTALLER-'AUTOPARTS' LETTERS MUST LINE-UP EXACTLY WITHIN THE WHITE AREA IN THE LOGO

NORTH-EAST ELEVATION



WEST ELEVATION



SCALE: 3/32"=1'-0"

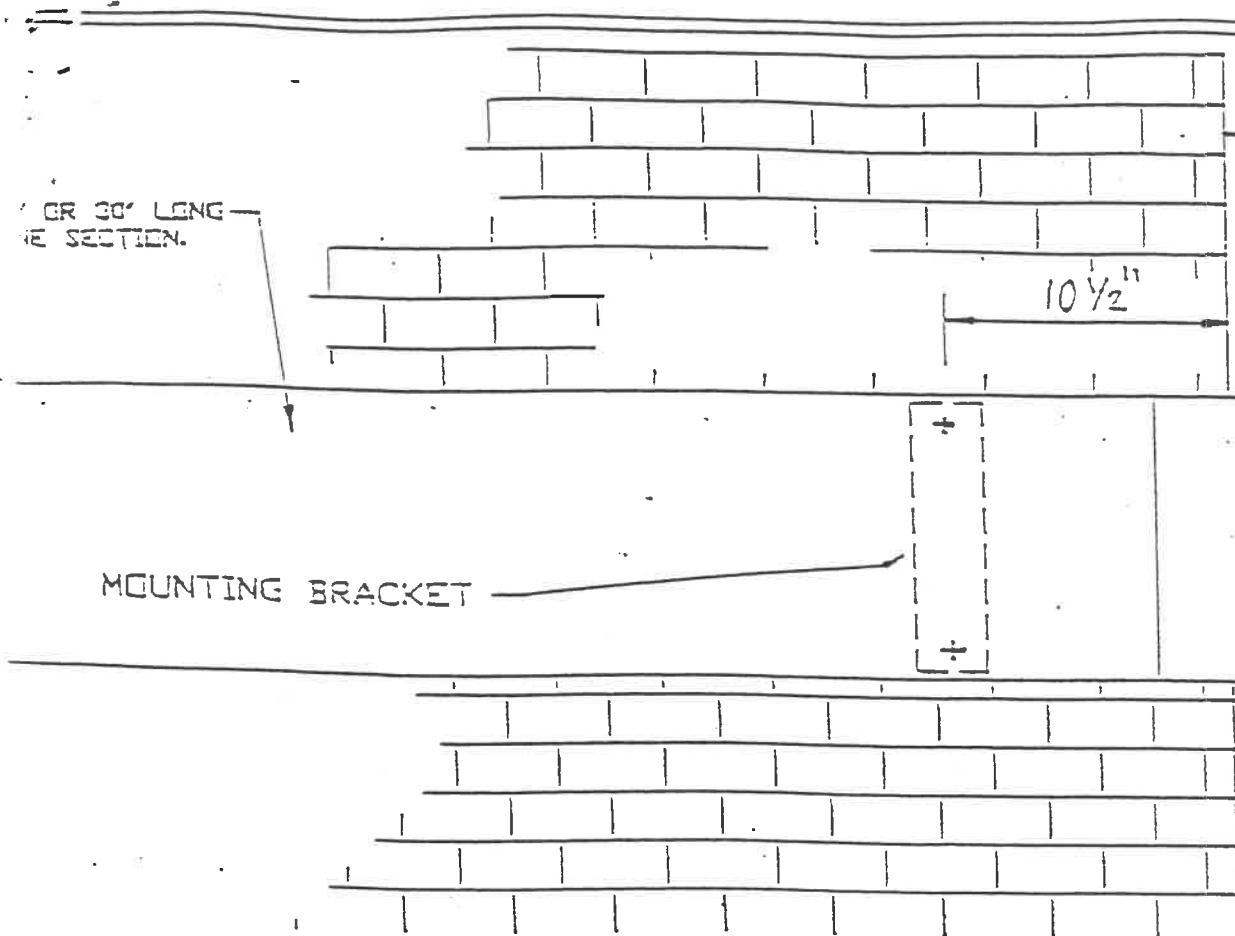
DATE	DESCRIPTION	INIT.
3/29/96	CHANGE OF COLORBAND	BJ
3/18/96	CHANGE TO 28' LETTER SET	BJ
3/13/96	NORTH WEST ELEV REVISED	BJ

REVISION COLUMN

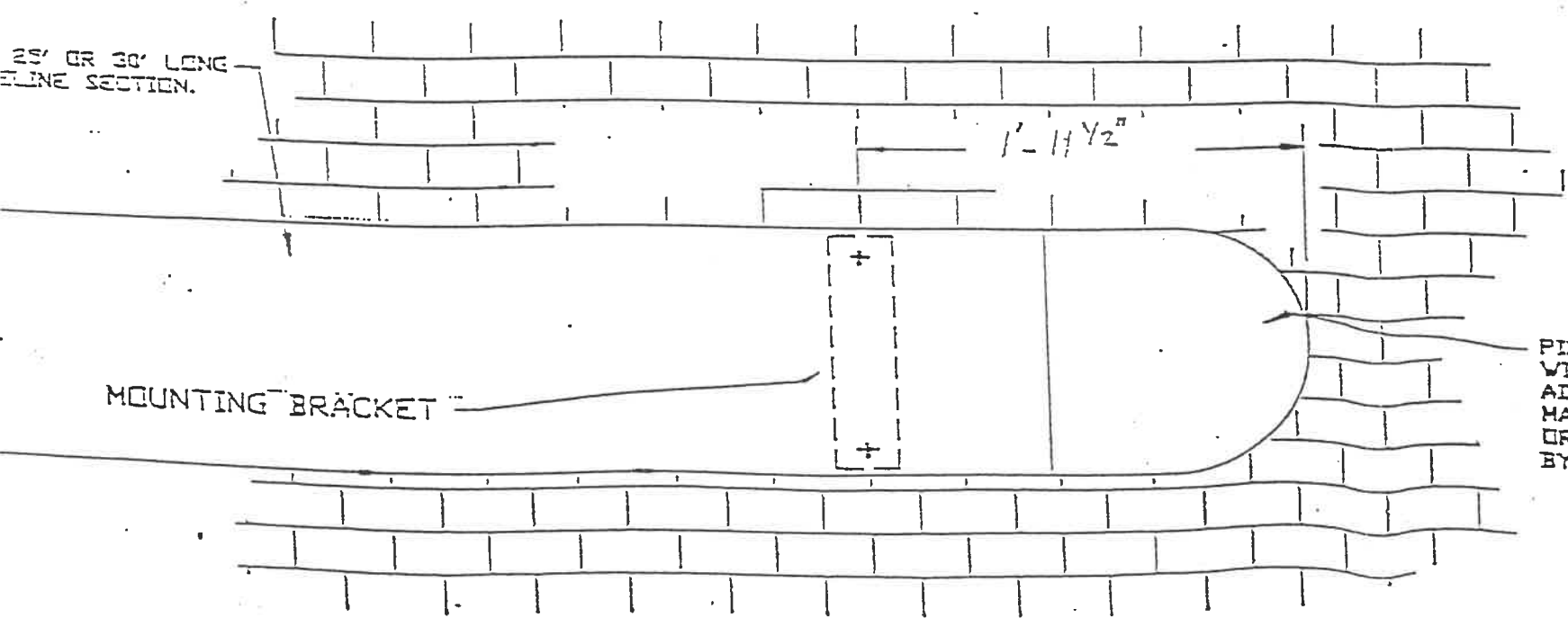
DEPT.	CUSTOMER/LOCATION NAPA-AUTOPARTS	
	907 OAKWOOD	NAPOLEON, OH.
	DRAWING DESCRIPTION ELEVATION	
	*	
NO. #	CAD FILE NAME	BLOCK NAME
VO# 04851	NAPA\04851	
DATE	02/27/96	FAIRMONT SIGN CO.
DRAWN	BJ	CHECKED
SHEET	1	OF 1
		3750 E. OUTER DRIVE
		DETROIT, MI 48234

15' LOT

SIGN JTER 41



FRONT VIEW OF 18' PIPELINE CORNER SECTION
SCALE 1"=1'-0"



FRONT VIEW OF 18' PIPELINE END SECTION
SCALE 1"=1'-0"

WALL LINE (BLDG. CORNER)

PIPELINE CORNER SECTION WILL BE ATTACHED TO ADJACENT SECTION BY MANUFACTURER, NO INSTALLATION OR ELEC. HOOK-UP REQ'D BY INSTALLER.

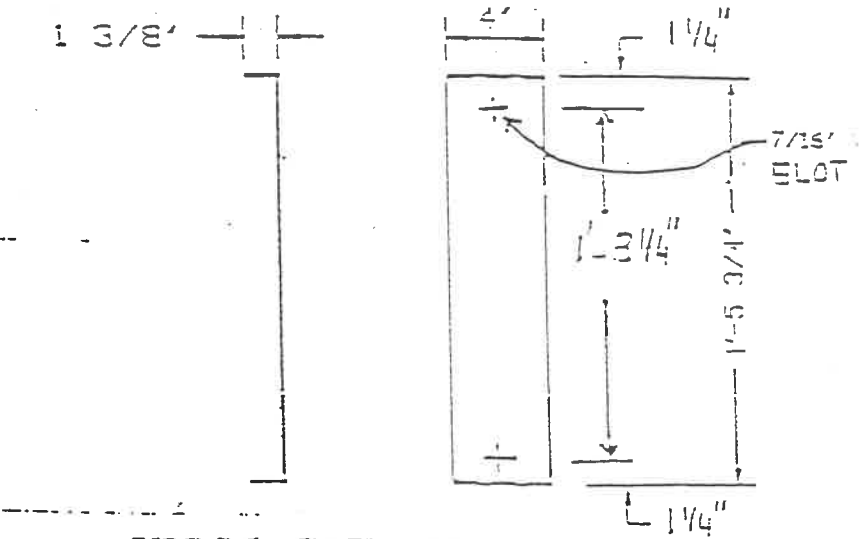
INSTALLER TO USE APPROPRIATE FASTENER TYPE ACCORDING TO WALL STRUCTURE.

4" PIGTAIL OF PRIMARY ELECTRICAL WIRES.

USE A #14 - 5/8" LONG SHEET METAL SCREW, TWO SCREWS AT TOP AND BOTTOM PER BRACKET. USE YELLOW TOUCH-UP PAINT TO PAINT SCREWS.

ALUM. MOUNTING BRACKET PROVIDED BY SIGN MANUFACTURER.

SECTION THRU ILLUM. 18' PIPELINE
SCALE 1 1/2"=1'-0"



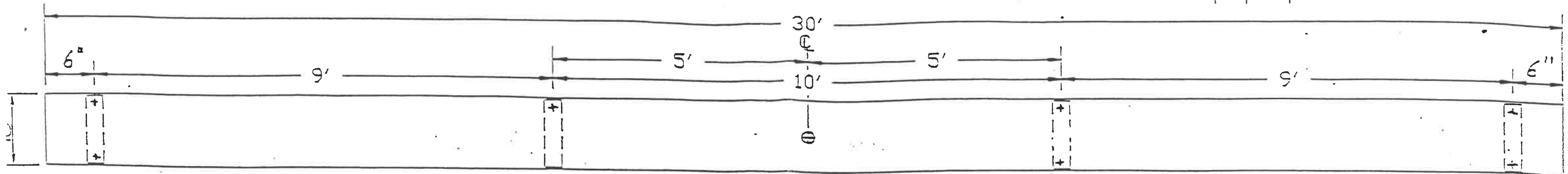
PIPELINE MOUNTING BRACKET DETAIL
SCALE 1 1/2"=1'-0"

DATE	DESCRIPTION
REVISION COLUMN	

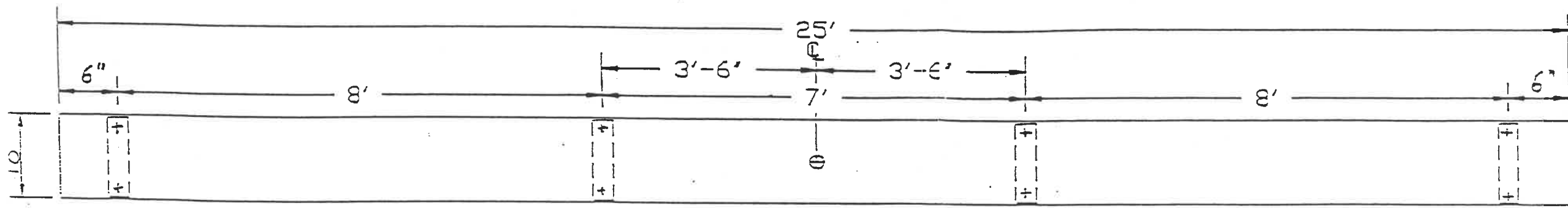
DEPT.	CUSTOMER/LOCATION NAPA	
	DRAWING DESCRIPTION 18" ILLUMINATED PIPELINE INSTALLATION DETAILS	
SERV.	DATE	CAD FILE NAME
	02-09-84	\NAPA\18P-INST
SHEET	DRAWN BY	FAIRMONT SIGN 3750 E. OUTER DETROIT, MI
	CHECKED BY	

SCALE: 1/2"=1'-0"

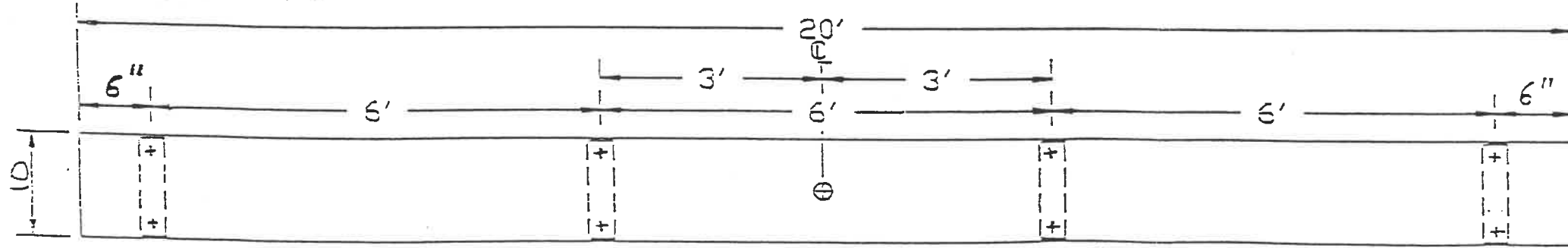
ITEM QTY DESCRIPTION



TYPICAL 30' PIPELINE SECTION



TYPICAL 25' PIPELINE SECTION



TYPICAL 20' PIPELINE SECTION

NOTE:
 ⊖ = SECTION ELEC. OUTLET.
 + = FASTENER LOCATION
 * SEE SECTION DETAIL ON SHEET -2- FOR ALL VERTICAL DIMENSIONS.
 * USE THIS DRAWING ALONG WITH THE LETTER INSTALL PRINTS TO DETERMINE TOTAL LOAD

SECTION TYPE	SECTION AMPERAGE
30' PIPELINE	6.7
30' PIPELINE W/ END SECTION	7.65
30' PIPELINE W/ CORNER SECTION	7.65

SECTION TYPE	SECTION AMPERAGE
25' PIPELINE	6.7
25' PIPELINE W/ END SECTION	7.65
25' PIPELINE W/ CORNER SECTION	7.65

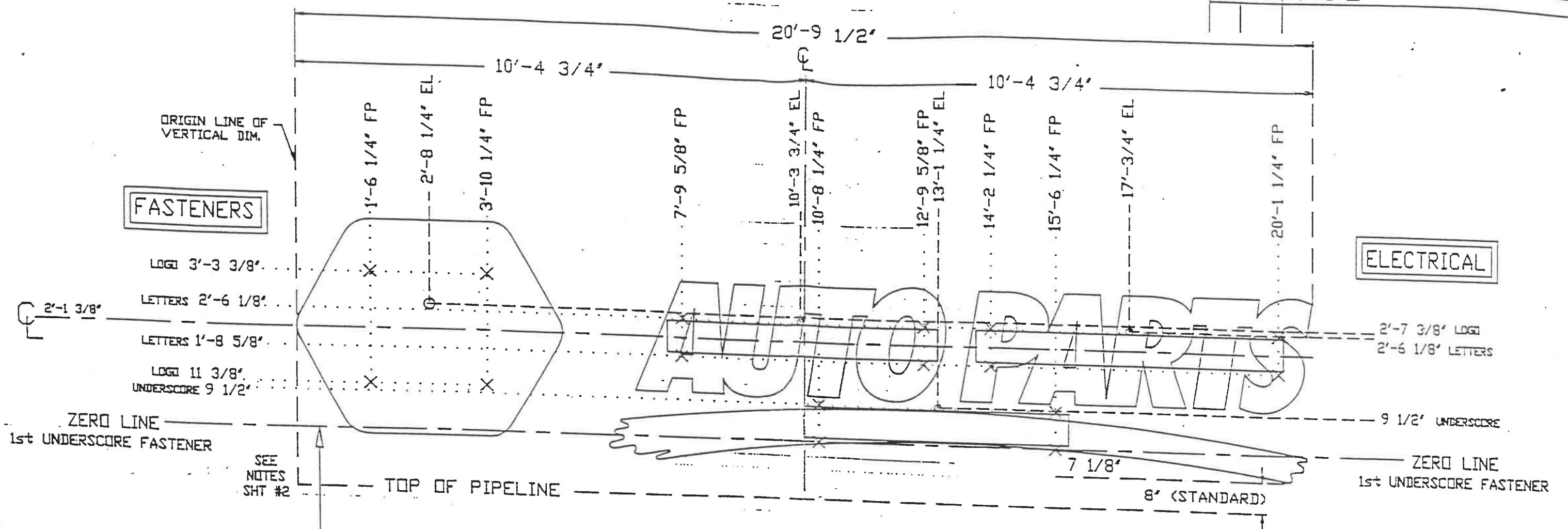
SECTION TYPE	SECTION AMPERAGE
20' PIPELINE	5.0
20' PIPELINE W/ END SECTION	5.95
20' PIPELINE W/ CORNER SECTION	5.95

DATE	DESCRIPTION
	REVISION COLUMN

DEPT. SURV. SIGN	CUSTOMER/LOCATION NAPA	
	DRAWING DESCRIPTION 18" ILLUMINATED PIPELINE	
	INSTALLATION DETAILS	
	SO#	CAD FILE NAME
	\NAPA\18P-INST	
	DATE 02-09-94	FAIRMONT SIGN CO.
	DRAWN N-H CHECKED	3750 E. OUTER DRIV
	SHEET OF	DETROIT, MI 482

SCALE: 1/2"=1'-0"

ITEM	QTY	DESCRIPTION



FASTENERS

ELECTRICAL

LOGO 3'-3 3/8"
 LETTERS 2'-6 1/8"
 LETTERS 1'-8 5/8"
 LOGO 11 3/8"
 UNDERSCORE 9 1/2"

2'-7 3/8" LOGO
 2'-6 1/8" LETTERS

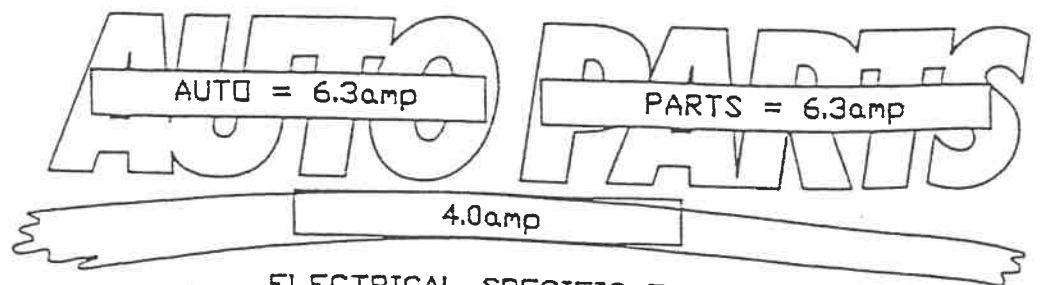
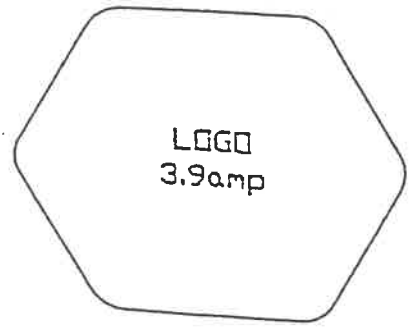
ZERO LINE
 1st UNDERSCORE FASTENER

9 1/2" UNDERSCORE
 ZERO LINE
 1st UNDERSCORE FASTENER

SEE NOTES
 SHT #2

DIMENSION FROM
 BOTTOM LAYOUT LINE
 (BOTTOM OF PIPELINE)
 TO ZERO LINE
 IF PIPELINE IS 18"H - 2'-9 1/8"
 IF PIPELINE IS 24"H - 3'-5 1/8"

INSTALLATION LAYOUT FOR 2'-4" ILLUM. LTRS & 4'-6" ILLUM. LOGO
 SCALE 1/2"=1'-0"



ELECTRICAL SPECIFICATION
 NOT TO SCALE

NOTE:
 X = FASTENER POINT FP
 O = ELECTRICAL POINT EL
 FIELD VERIFY ALL ELECTRIC AND FASTENER LOCATIONS BEFORE DRILLING ANY HOLES IN WALL.
 CIRCUIT CONFIGURATION/LOADING MAY VARY WITH ADDITION OF PIPELINE. 20.5amp TOTAL AS IS, WITH ONE CIRCUIT. 110VA ASSUMED
 THIS SHEET SHOULD BE USED IN CONJUNCTION WITH PIPELINE LAYOUT PER LOCATION.

DATE	DESCRIPTION	BY
1/25/94	SHT#2 ADDED - IMPROVE LAYOUT	M

REVISION COLUMN

CUSTOMER/LOCATION NAPA - "AUTO PARTS"	
DRAWING DESCRIPTION 4'-6" LOGO WITH 28" LETTERS ELEC. & FASTENER LAYOUT/LOAD	
SID#	CAD FILE NAME
VID#	\NAPA\LET-INST
DATE 01-13-94	BLOCK #4
DRAWN N-H CHECKED	L28-IN
SHEET 1 OF 02	FAIRMONT SIGN CO. 3750 E. OUTER DRIVE DETROIT, MI 48234